



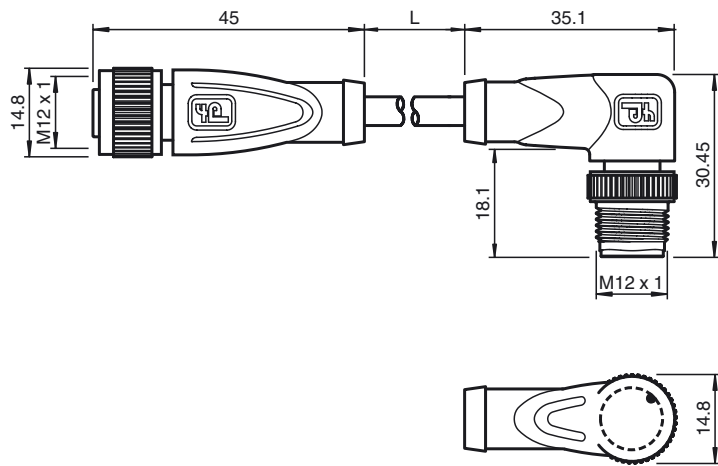
Model Number

V1-G-OR2M-POC-V1-W
 Connection cable, M12 to M12, 4-pin,
 TPE cable, welding-bead resistant

Features

- Resistant to welding bead formation
- Suitable for robotic applications / torsion resistant
- Does not give off silicone
- Ozone resistant
- Knurled nut suitable for tool assembly
- Immunity to vibration, with mechanical latching
- Gold-plated and machined contacts
- Protection degree IP67 / IP68 / IP69K

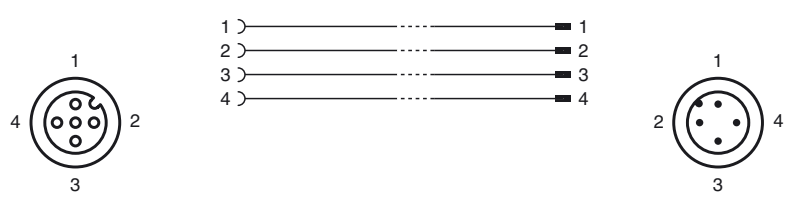
Dimensions



Technical data

General specifications		
Number of pins		4
Connection 1		socket
Construction type 1		straight
Threading 1		M12
Connection 2		Male connector
Construction type 2		right angle
Threading 2		M12
Electrical specifications		
Operating voltage	U _B	max. 250 V AC/DC
Test voltage		> 1500 V _{eff} AC
Operating current		max. 4 A
Volume resistance		< 5 mΩ
Ambient conditions		
Ambient temperature		Body: -40 ... 90 °C (-40 ... 194 °F) Cable, flexing: -15 ... 120 °C (5 ... 248 °F) for 20000 h -15 ... 150 °C (5 ... 302 °F) for 3000 h cable, fixed: -40 ... 120 °C (-40 ... 248 °F) for 20000 h -40 ... 150 °C (-40 ... 302 °F) for 3000 h
Pollution Degree		3
Mechanical specifications		
Contact elements		spring-loaded contact socket
Pin diameter		1 mm
Protection degree		IP67 / IP68 / IP69k
Material		
Contacts		CuSn / Au
Contact surface		Au
Body		TPU, green
Cable		TPE resistant to welding bead formation
Slotted nut		Diecast zinc
Sleeve connector		Diecast zinc
Core insulation		ETFE
Cable		fine-strand, flexible
Sheath diameter		Ø 4.8 mm
Bending radius		> 10 x cable diameter, moving
Color		orange
Cores		4 x 0.34 mm ²
Conductor construction		19 x 0.16 mm Ø
Length	L	2 m
Flammability		
Contact material		HB
Housing		V-2

Electrical connection



Release date: 2013-08-14 13:13 Date of issue: 2013-08-14 221860_eng.xml



Cable flame-resistant

Compliance with standards and directives

Standard conformity	
Protection degree	EN 60529:2000
Standards	IEC 61076-2-101:2008
Flammability	Body: UL 94 Line: UL 1581 Section 1061; IEC 60332-1-2:2004

Release date: 2013-08-14 13:13 Date of issue: 2013-08-14 22:1860_eng.xml